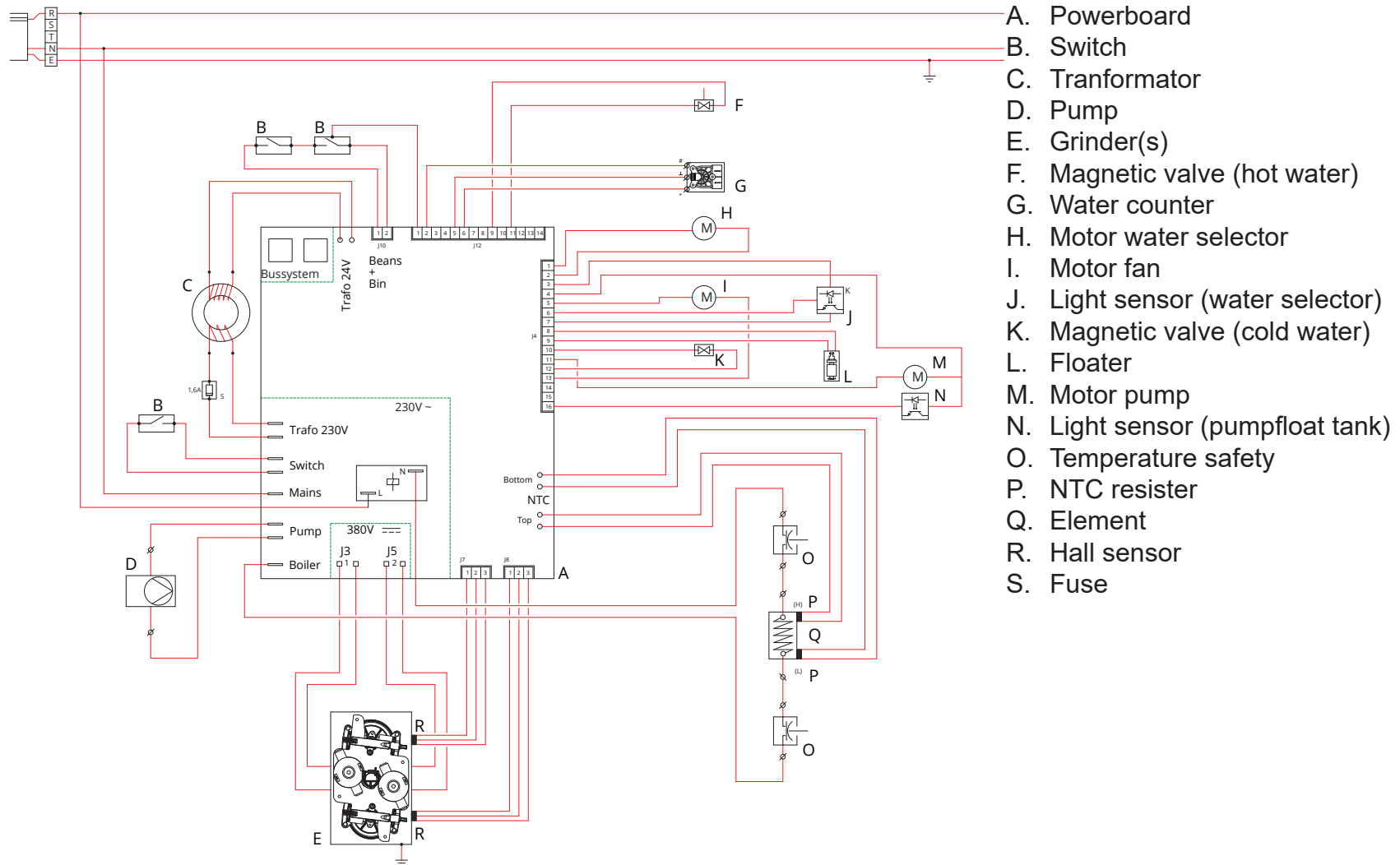


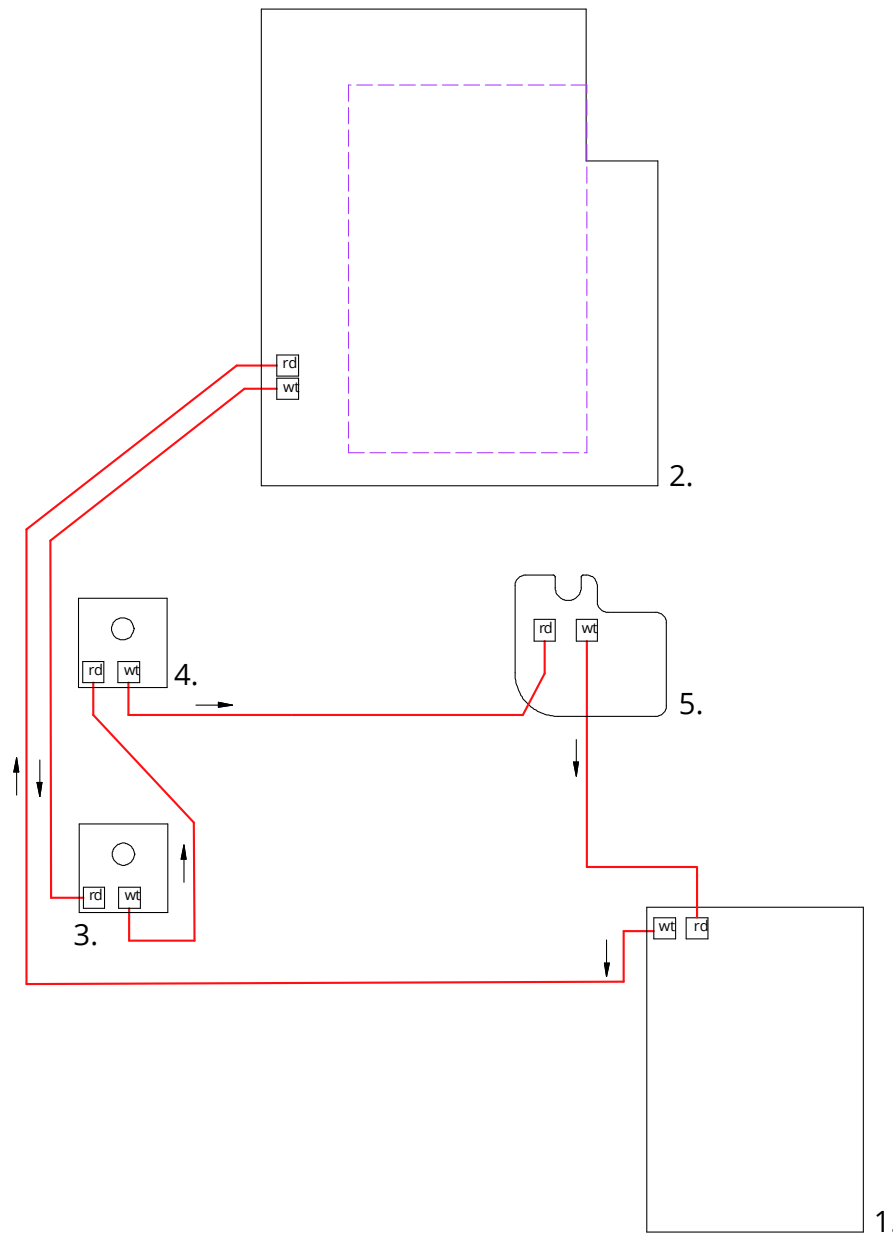
Esprecious 11(L) / 12 / 21(L) / 22



- A. Powerboard
- B. Switch
- C. Transformator
- D. Pump
- E. Grinder(s)
- F. Magnetic valve (hot water)
- G. Water counter
- H. Motor water selector
- I. Motor fan
- J. Light sensor (water selector)
- K. Magnetic valve (cold water)
- L. Floater
- M. Motor pump
- N. Light sensor (pumpfloat tank)
- O. Temperature safety
- P. NTC resister
- Q. Element
- R. Hall sensor
- S. Fuse

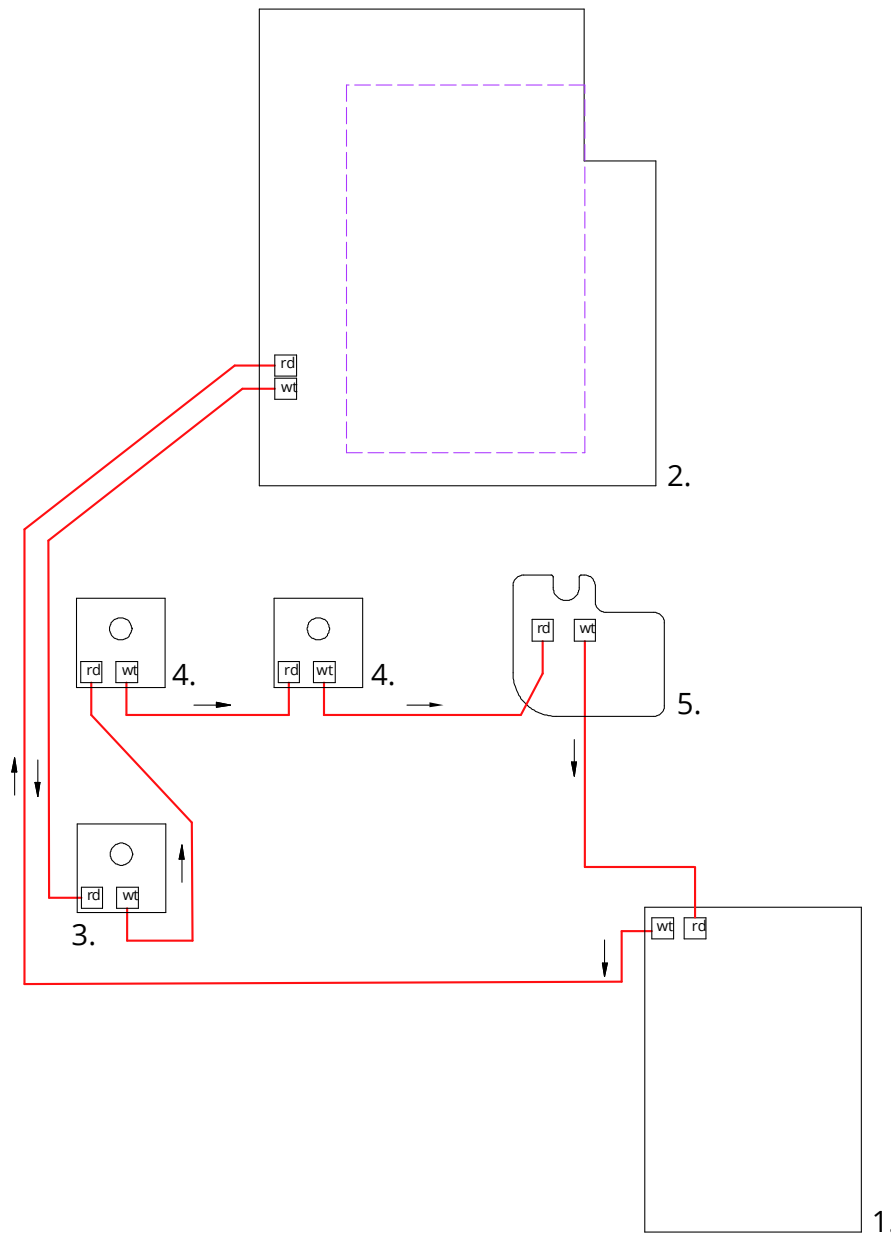
Esprecious 11 / 21 (Bus system)

1. Powerboard
2. Keyboard / display
3. Mixermotor
4. Canistermotor
5. Brewer



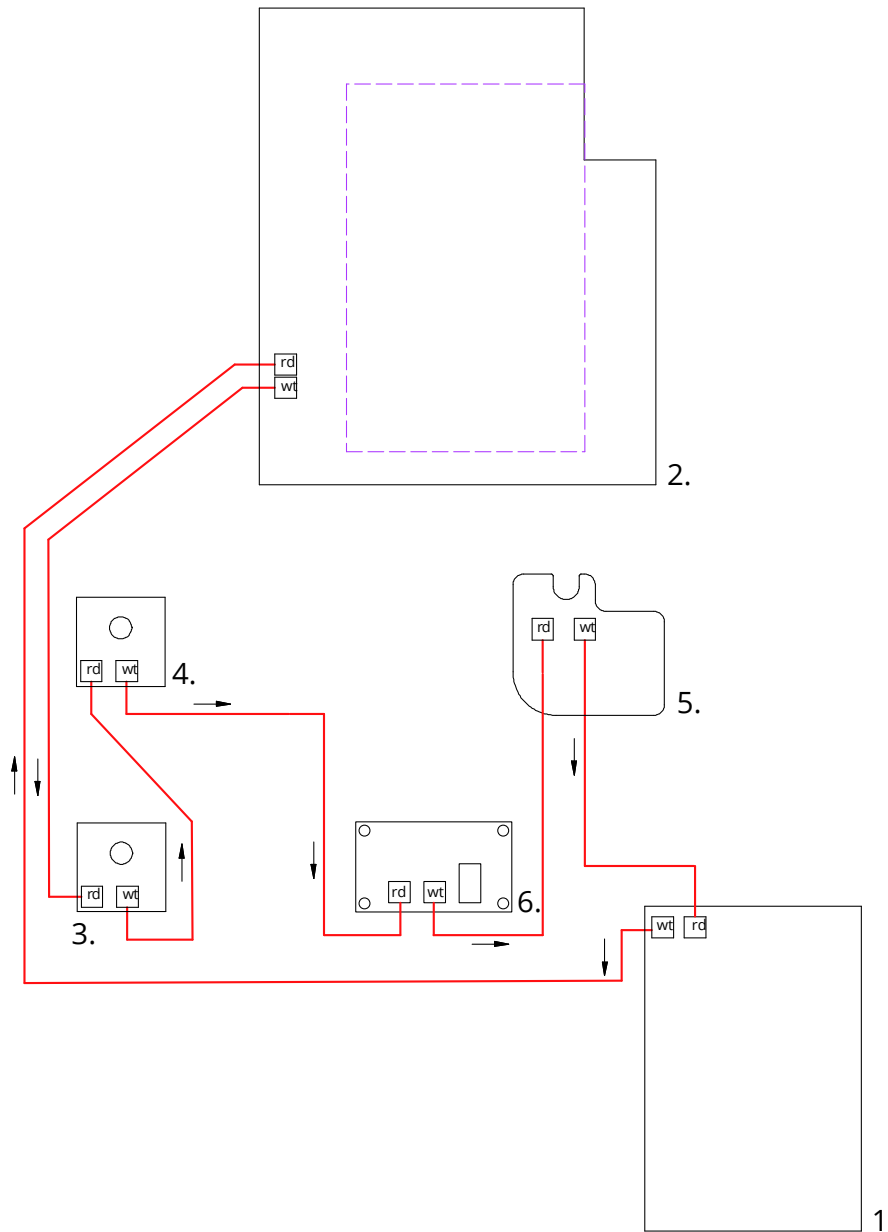
Esprecious 12 / 22 (Bus system)

1. Powerboard
2. Keyboard / display
3. Mixermotor
4. Canistermotor
5. Brewer



Esprecious 11(L) / 21(L) with interface print (Bus system)

1. Powerboard
2. Keyboard / display
3. Mixermotor
4. Canistermotor
5. Brewer
6. Print MDB (optional)



Esprecious 12 / 22 with interface print (Bus system)

1. Powerboard
2. Keyboard / display
3. Mixermotor
4. Canistermotor
5. Brewer
6. Print MDB (optional)

